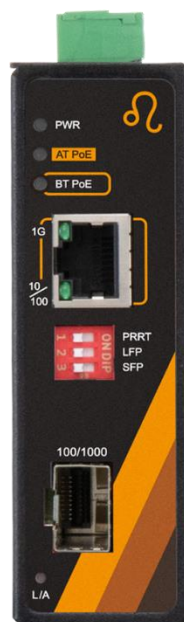


# HARDWARE USER MANUAL

---



- MBG2-0201-SFP-24
- MBG2-0201-SFP-24-T

This document contains information, which is protected by copyright. Reproduction, adaptation, or translation without prior permission is prohibited, except as allowed under the copyright laws.

## Disclaimer

Leonton Technologies, Co. Ltd. provides this manual without warranty of any kind, expressed or implied, including but not limited to the implied warranties of merchantability and fitness for a particular purpose. Leonton Technologies, Co. Ltd. may make improvements and/or changes to the product and/or specifications of the product described in this manual, without prior notice. Leonton Technologies, Co. Ltd. will not be liable for any technical inaccuracies or typographical errors found in this guide. Changes are periodically made to the information contained herein and will be incorporated into later versions of the manual. The information contained is subject to change without prior notice.

## FCC Notice

This equipment has been tested and found to comply with the limits for a Class-A digital device, pursuant to Part 15 of the FCC rules. These limits are designed to provide reasonable protection against harmful interference in a residential installation. This equipment generates, uses, and can radiate radio frequency energy. It may cause harmful interference to radio communications if the equipment is not installed and used in accordance with the instructions. However, there is no guarantee that interference will not occur in a particular installation. If this equipment does cause harmful interference to radio or television reception, which can be determined by turning the equipment off and on, the user is encouraged to try to correct the interference by one or more of the following measures:

- Reorient or relocate the receiving antenna.
- Increase the separation between the equipment and receiver.
- Connect the equipment into an outlet on a circuit different from that to which the receiver is connected.
- Consult the dealer or an experienced radio/TV technician for help.

**Caution: Any changes or modifications not expressly approved by the grantee of this device could void the user's authority to operate the equipment.**

## Déclaration FCC

Cet équipement a été testé et reconnu conforme aux limites de la classe A pour les équipements numériques, conformément à la section 15 des Réglementations FCC. Ces limites sont conçues pour fournir une protection raisonnable contre toutes interférences nuisibles dans un milieu résidentiel. Cet équipement génère, utilise, et peut émettre de l'énergie de fréquence radio et, s'il n'est pas installé et utilisé conformément au manuel d'instruction, peut perturber la réception radio. Cependant, il n'est pas garanti que l'équipement ne produira aucune interférence dans une installation particulière. Si cet équipement cause des interférences nuisibles à la réception radio ou télévisée, qui peuvent être déterminées en l'éteignant et le rallumant, l'utilisateur est encouragé à essayer de remédier au problème en prenant les mesures suivantes:

- Réorienter ou déplacer l'antenne réceptrice.
- Augmenter la distance entre l'équipement et le récepteur.
- Connecter l'équipement à une prise secteur sur un circuit différent de celui utilisé par le récepteur.
- Consulter le négociant ou un technicien radio/TV expérimenté.

**Attention: Tout changement ou modification non expressément approuvé par le concessionnaire de cet appareil pourrait annuler l'autorité de l'utilisateur à utiliser l'équipement.**

## CE Mark Warning

This is a Class-A product. In a domestic environment this product may cause radio interference in which case the user may be required to take adequate measures.

## CE Mark Avertissement

Ceci est un produit de classe A. Dans un environnement domestique, ce produit peut être utilisé en présence d'interférences radio.

This document is the current official release manual. Please check our website ([www.leonton.com](http://www.leonton.com)) for any updated manual or contact us by e-mail ([sales@leonton.com](mailto:sales@leonton.com))

# CONTENT

<b>OVERVIEW</b> .....	<b>1</b>
Key Features .....	1
Package Contents .....	2
Safety Precaution .....	2
<b>HARDWARE DESCRIPTION</b> .....	<b>3</b>
Physical Dimensions .....	3
Front Panel .....	4
Top View .....	4
LED Indicators .....	5
Ethernet Ports .....	6
Cabling .....	7
Wiring the Power Inputs .....	9
DIP-Switch Setting .....	10
Grounding Note .....	10
<b>MOUNTING INSTALLATION</b> .....	<b>11</b>
DIN-Rail Mounting .....	11
Wall Mounting .....	13
<b>HARDWARE INSTALLATION</b> .....	<b>14</b>
Installation Steps .....	14
<b>TROUBLE SHOOTING</b> .....	<b>16</b>

# OVERVIEW

This series is rated IP30 and installation by DIN Rail. Each unit of this industrial PoE+ gigabit unmanaged Media Converter series provided 1\*10/100/1000Tx with IEEE 802.3bt compliant ports (90W) convert to 1 dual-rate (100/1000) SFP slot, suitable for Ethernet and SFP conversion applications.

In order to prevent unregulated voltage, this series provides high EFT and ESD protection. This also allows it to function in harsh environments, as well as support power redundancy with a dual power input design with reverse polarity protection.

With one model having an operating temperature of -10°C ~ 65°C, and another with a wide operating temperature of -40°C ~ 75°C, this series is designed to meet any needs for industrial automation application and harsh environments.

## Key Features

### Interface & Performance

- All Copper ports support auto MDI/MDI-X function
- Embedded 1\*10/100/1000Tx (PSE 90W) Gigabit Ethernet and 1\*100/1000 SFP Slot
- Store-and-forward switching architecture
- 8K MAC Address Table
- Supports 10Kbytes Jumbo Frame
- 1Mbits memory buffer

### Power Input

- Dual 12-55VDC redundant power inputs
- 1 removable 4-contact terminal block
- Max. current 7A
- Max. PoE output: 90W

### Certification

- CE/FCC

### Operating Temperature

- Standard operating temperature model: -10°C ~ 65°C
- Extended operating temperature model (-T): -40°C ~ 75°C

### Case/Installation

- IP30 protection
- DIN-Rail and wall mount design
- Installation in a pollution degree 2 industrial environment

## Package Contents

- 1 - MBG2-0201-SFP-24(-T) - Unit weight: 0.34kg (0.74lb), Shipping weight: 0.44kg (0.97lb)
- 2 - Wall mounting brackets and screws
- 1 - Quick installation guide

## Safety Precaution

### Attention

If the DC voltage is supplied by an external circuit, please use a protection device on the power supply input. Supply by UL Listed industrial use power. The industrial media converter's hardware specs, ports, cabling information, and wiring installation will be described within this user manual.

### Attention

Si la tension CC est fournie par un circuit externe, veuillez utiliser un dispositif de protection sur l'entrée d'alimentation. Fourniture par courant industriel homologué UL. Les spécifications matérielles, les ports, les informations de câblage et l'installation du câblage du convertisseur de média industriel seront décrits dans ce manuel d'utilisation.

# HARDWARE DESCRIPTION

## Physical Dimensions

Figure 2.1, below, shows the physical dimensions of MBG2-0201-SFP-24 series.

(W x H x D) is 30mm x 95mm x 75mm

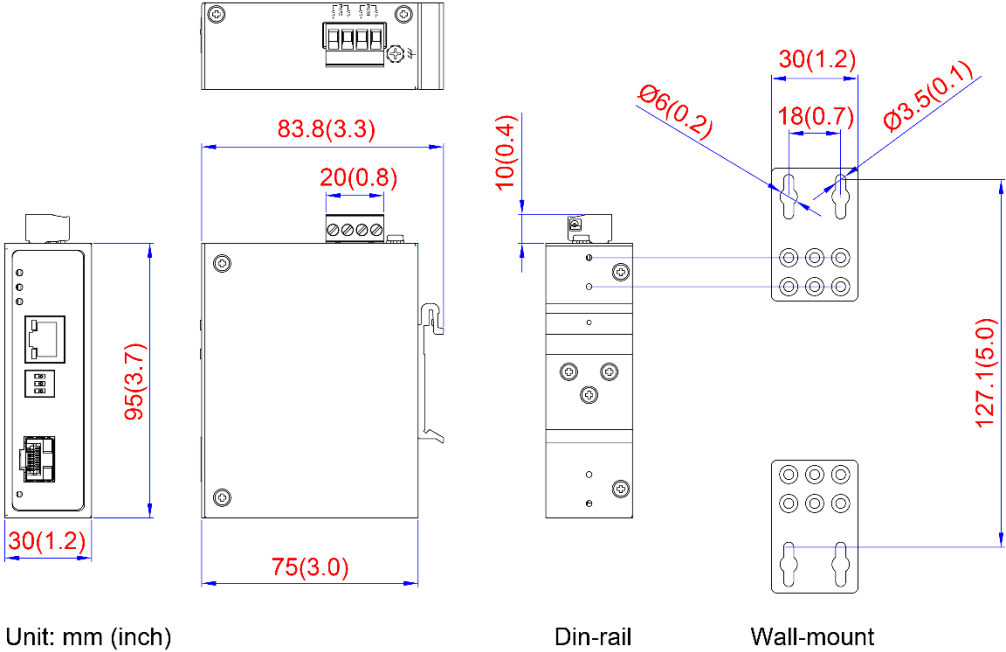


Figure 2.1: Physical Dimensions

## Front Panel

The front panel of the MBG2-0201-SFP-24 series industrial PoE+ Gigabit Media Converter is shown below in Figure 2.2.

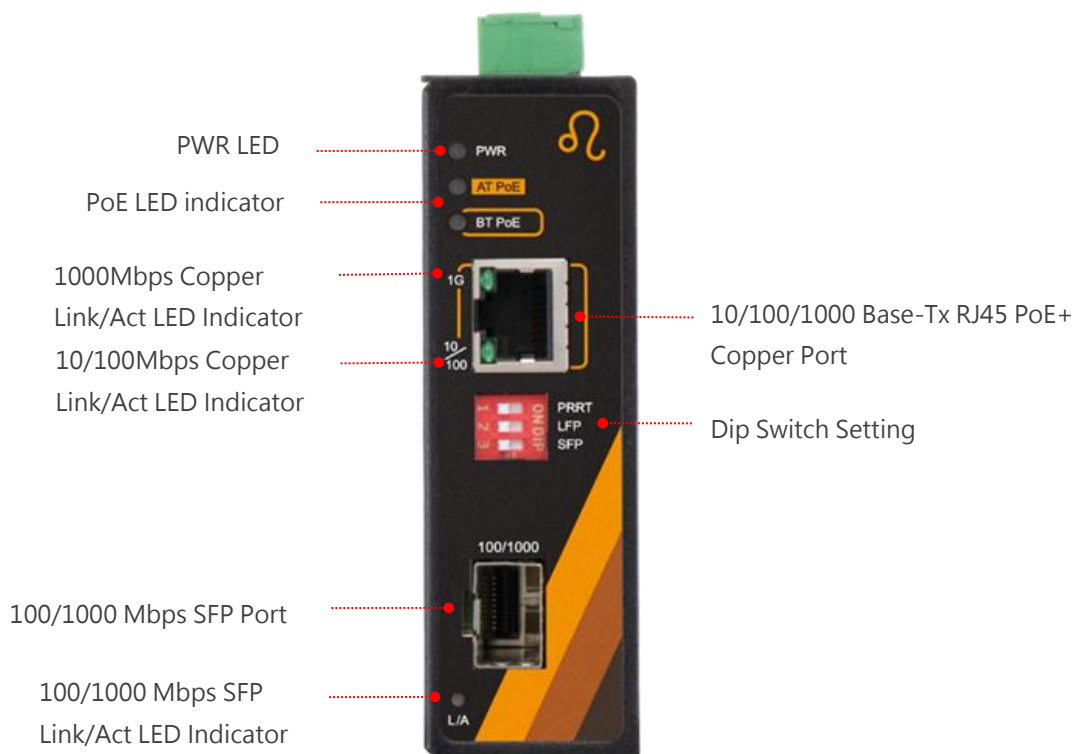


Figure 2.2: The Front Panel

## Top View

Figure 2.3, below, shows the top panel of the MBG2-0201-SFP-24 series Media Converter that is equipped with one 4-pin removal terminal block connector for dual DC power inputs (12-55VDC).

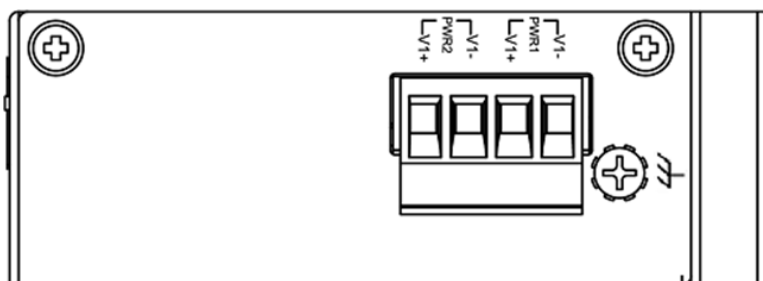


Figure 2.3: Top Panel View



## LED Indicators

There are LED light indicators located on the front panel of the industrial Media Converter that display the power status and network status. Each LED indicator has a different color and has its own specific meaning, see below in Table 2.1.



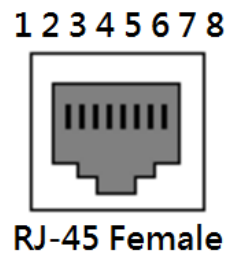
LED	Color	Description	
PWR	Green	On	Power input 1 or 2 is active
		Off	Power input 1 or 2 is inactive
AT PoE	Green	On	IEEE 802.3af/at connection
		Off	No powered-device attached or power supplying fails
BT PoE	Blue	On	IEEE 802.3bt connection
		Off	No powered-device attached or power supplying fails
		Flashing (1time/s)	1. PoE over current or cable short 2. Invalid connection check signature or connection-check error is detected
LAN Port Link/Act/Speed	Green 	On	Connected to network, 1000Mbps
		Flashing	Networking is active
		Off	Not connected to network
	Green 	On	Connected to network, 10/100Mbps
		Flashing	Networking is active
		Off	Not connected to network
SFP Fiber Port Link/Act	Green	On	Connected to network, 100/1000Mbps
		Flashing	Networking is active
		Off	Not connected to network

Table 2.1: LED Indicators

## Ethernet Ports

### RJ-45 Ports (Auto MDI/MDIX)

The RJ-45 ports are auto-sensing for 10Base-T, 100Base-TX or 1000Base-T devices connections. Auto MDI/MDIX means that the unit can connect to another one or workstation without changing the straight-through or crossover cabling. See the figures as below for straight-through and crossover cabling schematics.



### 10/100BASE-T(X) RJ-45 Pin Assignments (Table 2.2)

Crossover Cable		Straight Through Cable	
Pin Number / Signal	Pin Number / Signal	Pin Number / Signal	Pin Number / Signal
1 / RX+	3 / TX+	1 / RX+	1 / TX+
2 / RX-	6 / TX-	2 / RX-	2 / TX-
3 / TX+	1 / RX+	3 / TX+	3 / RX+
6 / TX-	2 / RX-	6 / TX-	6 / RX-

Table 2.2

### 1000BASE-T RJ-45 Pin Assignments (Table 2.3)

Crossover Cable		Straight Through Cable	
Pin Number / Signal	Pin Number / Signal	Pin Number / Signal	Pin Number / Signal
1 / TP0+	3 / TP1+	1 / TP0+	1 / TP1+
2 / TP0-	6 / TP1-	2 / TP0-	2 / TP1-
3 / TP1+	1 / TP0+	3 / TP1+	3 / TP0+
4 / TP2+	7 / TP3+	4 / TP2+	4 / TP3+
5 / TP2-	8 / TP3-	5 / TP2-	5 / TP3-
6 / TP1-	2 / TP0-	6 / TP1-	6 / TP0-
7 / TP3+	4 / TP2+	7 / TP3+	7 / TP2+
8 / TP3-	5 / TP2-	8 / TP3-	8 / TP2-

Table 2.3

**Note:** “+” and “-” signs represent the polarity of the wires that make up each wire pair.

## Cabling

Use the four twisted-pair, category 5e, or the above cabling for RJ-45 port connections. The cable between the Media Converter and the link partner (switch, hub, workstation, etc.) must be less than 100 meters (328 ft.) long.

The small form-factor pluggable (SFP) is a compact optical transceiver used in optical communications for both telecommunication and data communication applications.



**Caution:** Please employ optional optical transceiver (SFP/Fixed Fiber) that complies with IEC 60825-1 and classified as Class 1 laser product.



**Attention:** Veuillez utiliser un émetteur-récepteur optique (SFP) conforme à la norme CEI 60825-1 et classé comme produit laser de classe 1.

To connect the transceiver and LC cable, please follow below steps:

Step 1. Insert the SFP transceiver module into the SFP slot as shown below in Figure 2.4. Notice that the triangle mark is at the bottom of the SFP slot. Figure 2.5 shows SFP transceiver module was inserted.

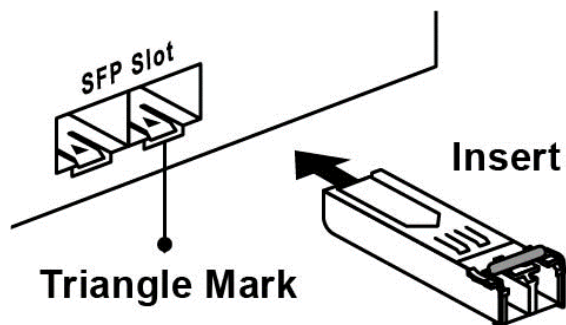


Figure 2.4: Transceiver to the SFP Module

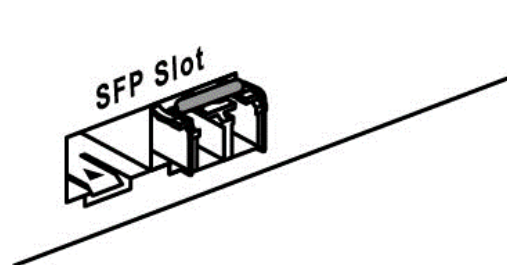


Figure 2.5: Transceiver Inserted

Step 2. Insert the fiber cable of the LC connector into the transceiver as shown below in Figure 2.6.

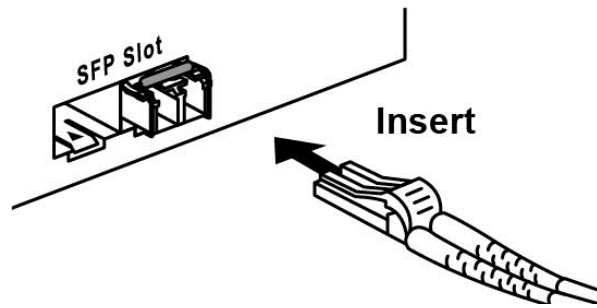


Figure 2.6: LC Connector to the Transceiver

To remove the LC connector from the transceiver, please follow the steps shown below:

Step 1. Press the upper side of the LC connector from the transceiver and pull it out to release as shown below in Figure 2.7

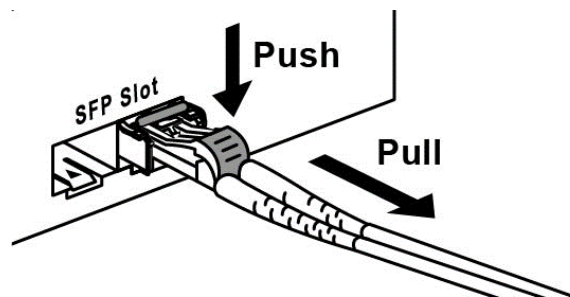


Figure 2.7: Remove LC Connector

Step 2. Push down the metal clasp and pull the transceiver out by the plastic part as shown below in Figure 2.8

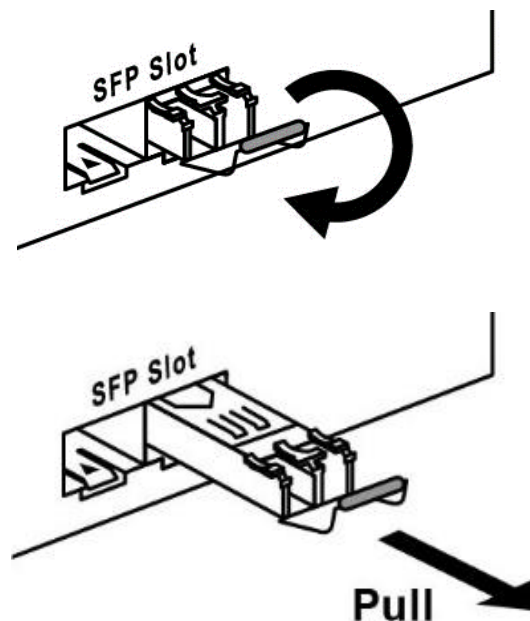


Figure 2.8: Pull Out from the SFP Module

## Wiring the Power Inputs



**Caution:** Please follow the below steps to insert the power wire.



**Attention:** Veuillez suivre les étapes ci-dessous pour insérer le câble d'alimentation.

Step 1 Insert the positive and negative wires into the PWR1 (V1+, V1-) and PWR2 (V2+, V2-) contacts on the terminal block connector as shown below in Figure 2.9.

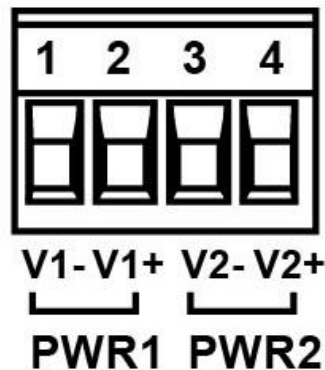


Figure 2.9: Power Terminal Block

Step 2 Tighten the wire-clamp screws to prevent the wires from loosening, as shown below in Figure 2.10.

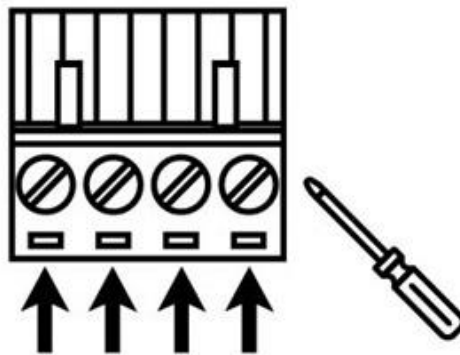


Figure 2.10: Power Terminal Block



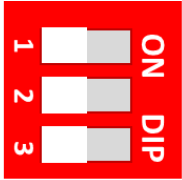
**Caution:** Only use copper conductors, 125°C, tighten to 5 in-lbs (0.56 Nm). The wire gauge for the terminal block should range between 18~20 AWG.



**Attention:** Utilisez uniquement des conducteurs en cuivre, 125 ° C, serrer à 5 in-lbs (0.56 Nm). Le calibre des fils du bornier doit être compris entre 18 et 20 AWG.

## DIP-Switch Setting

There are 3-set DIP-switch in front panel, that can be used for setting the PRRT (PD Remote Reset Technology) function, LFP (Link Fault Pass) function and SFP transmission rate. The default setting for all DIP switches is “OFF.” See the Table 2.4 and description below for more details.



DIP-Switch Number	ON	OFF
1	PRRT Enabled	PRRT Disabled
2	LFP Enabled	LFP Disabled
3	SFP 100FX	SFP 1000X

Table 2.4: DIP-switch setting for MBG2-0201-SFP-24 Series

### DIP Switch 1

ON: Enable “PD Remote Reset Technologies (PRRT)” function.

The PRRT function allows user to remotely reboot the media converter and reset the connected powered device (PD). When the fiber link down for 3 seconds, the media converter will be reboot and keep detecting if the converter receives signal until the fiber connection is recovered and the signal is received stably.

OFF: Disable “PD Remote Reset Technologies (PRRT)” function (default)

### DIP Switch 2

ON: Enable Link Fault Pass Through

OFF: Disable Link Fault Pass Through (default)

### DIP Switch 3

ON: Set Fiber Port at 100Mbps

OFF: Set Fiber Port at 1000Mbps (default)

**Note.** The device is required to recycle the power, if any current setting has been changed

## Grounding Note

Grounding and wire routing help limit the effects of noise due to electromagnetic interference (EMI). Run the ground connection from the ground screw to the grounding surface prior to connecting devices. The grounding screw symbol is shown below in Figure 2.11.

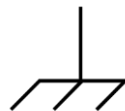


Figure 2.11: Grounding screw symbol



**Caution:** Using a shielded cable achieves better electromagnetic compatibility.



**Attention:** L'utilisation d'un câble blindé permet une meilleure compatibilité électromagnétique.

## MOUNTING INSTALLATION

### DIN-Rail Mounting

The DIN-Rail is pre-installed on the industrial Media Converter from the factory. If the DIN-Rail is not on the industrial Media Converter, please see Figure 3.1 to learn how to install the DIN-Rail on the Media Converter.



Figure 3.1: The Rear Side of the Media Converter and DIN-Rail Bracket

Follow the steps below to learn how to hang the industrial Media Converter.

- Step 1. Use the screws to install the DIN-Rail bracket on the rear side of the industrial Media Converter.
- Step 2. To remove the DIN-Rail bracket, do the opposite from Step 1.
- Step 3. After the DIN-Rail bracket is installed on the rear side of the Media Converter, insert the top of the DIN-Rail on to the track as shown below in Figure 3.2.

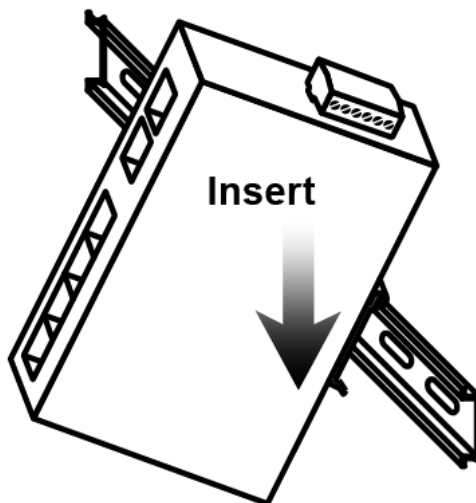


Figure 3.2: Insert the Media Converter on the DIN-Rail

Step 4. Lightly pull down the bracket on to the rail as shown below in Figure 3.3.

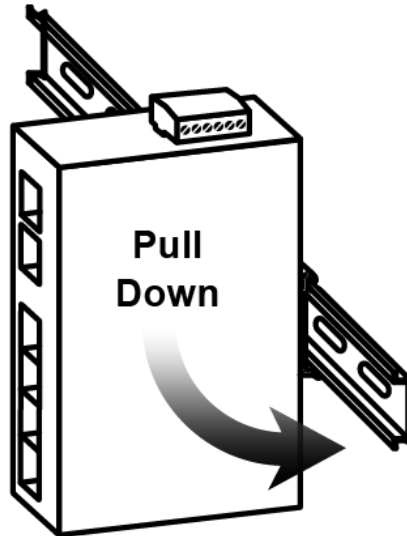


Figure 3.3: Stable the Media Converter on DIN-Rail

Step 5. Check if the bracket is mounted tightly on the rail.

Step 6. To remove the industrial Media Converter from the rail, do the opposite from the above steps.



## Wall Mounting

Follow the steps below to mount the industrial Media Converter using the wall mounting bracket as shown below in Figure 3.4.

- Step 1. Remove the DIN-Rail bracket from the industrial Media Converter by loosening the screws.
- Step 2. Place the wall mounting brackets on the top and bottom of the industrial Media Converter.
- Step 3. Use the screws to screw the wall mounting bracket on the industrial Media Converter.
- Step 4. Use the hook holes at the corners of the wall mounting bracket to hang the industrial Media Converter on the wall.
- Step 5. To remove the wall mount bracket, do the opposite from the steps above.

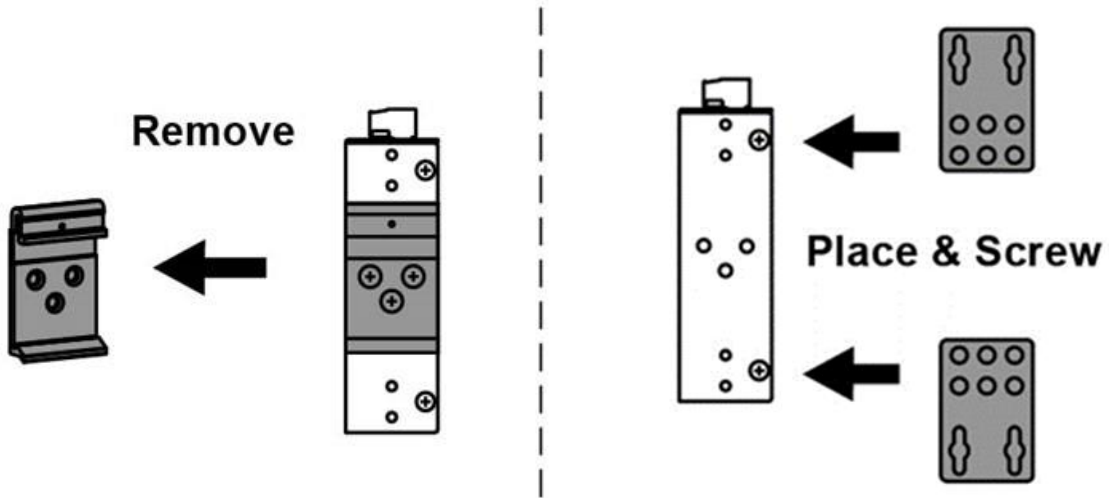


Figure 3.4: Remove DIN-Rail Bracket from the Media Converter and Install the Wall Mount Bracket

Below, in Figure 3.5 are the dimensions of the wall mounting bracket.

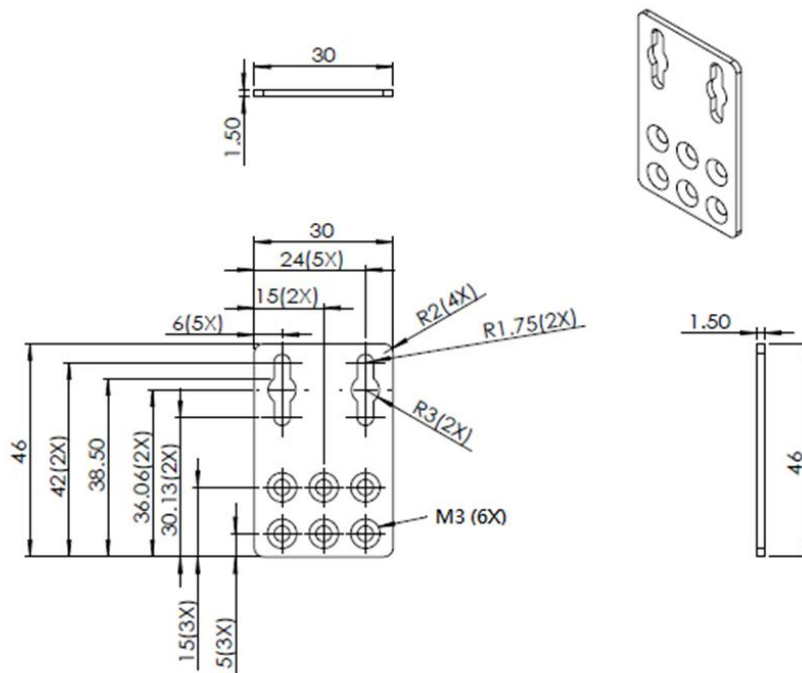


Figure 3.5: Wall Mounting Bracket Dimensions

# HARDWARE INSTALLATION

## Installation Steps

This section will explain how to install MBG2-0201-SFP-24 series.

### Installation Steps

Step 1. Unpack the industrial Media Converter from the original packing box.

Step 2. Check if the DIN-Rail bracket is screwed on the industrial Media Converter.

- If the DIN-Rail is not screwed on the industrial Media Converter, please refer to the **DIN-Rail Mounting** section for DIN-Rail installation.
- If you want to wall mount the industrial Media Converter, please refer to the **Wall Mounting** section for wall mounting installation.

Step 3. To hang the industrial Media Converter on a DIN-Rail or wall, please refer to the **Mounting Installation** section.

Step 4. Power on the industrial Media Converter and then the power LED light will turn on.

- If you need help on how to wire power, please refer to the **Wiring the Power Inputs** section.
- Please refer to the **LED Indicators** section for LED light indication.

Step 5. Prepare the twisted-pair, straight-through category 5 cable for Ethernet connection.

Step 6. Insert one side of the RJ-45 cable into Media Converter's Ethernet port and on the other side into the networking device's Ethernet port, e.g. switch PC or server. The Ethernet port's (RJ-45) LED on the industrial Media Converter will turn on when the cable is connected to the networking device.

- Please refer to the **LED Indicators** section for LED light indication.

Step 7. Insert one side of the SFP cable into Media Converter's SFP port and on the other side into the networking device's SFP port, e.g. switch or server. The SFP port's LED on the industrial Media Converter will turn on when the cable is connected to the networking device.

- Please refer to the **LED Indicators** section for LED light indication.

Step 8. When all connections are set and the LED lights all show normal, the installation is complete.



**Caution:** If the equipment is used in a manner not specified by the manufacturer, the protection provided by the equipment may be impaired.



**Attention:** Si l'équipement est utilisé d'une manière non spécifiée par le fabricant, la protection fournie par l'équipement peut être altérée.



**Caution:** The installation that the safety to any system incorporating the equipment is the responsibility of the assembler of the system.



**Attention:** L'installation que la sécurité de tout système intégrant l'équipement est de la responsabilité de l'assembleur du système.



**Caution:** This is an OPEN TYPE module and should be installed in a final safety enclosure characteristic.



**Attention:** Il s'agit d'un module de TYPE OUVERT et doit être installé dans une caractéristique finale d'enceinte de sécurité.



**Caution:** This device is intended for use indoor and at altitudes up to 2000 meters.



**Attention:** Cet appareil est destiné à être utilisé en intérieur et à des altitudes allant jusqu'à 2000 mètres.



**Caution:** Ambient Relative Humidity should be within the range of 5 and 95% (non-condensing).



**Attention:** L'humidité relative ambiante doit être comprise entre 5 et 95% (sans condensation).

**Note:** Clean the device with soft cloth with dry or water

## TROUBLE SHOOTING

- Verify you have the right power cord or adapter. Never use a power supply or adapter with a non-compliant DC output voltage or it will burn the equipment.
- Select the proper UTP or STP cable in order to construct the network. Use an unshielded twisted-pair (UTP) or shield twisted-pair (STP) cable for RJ-45 connections: 100Ω Category 5e for 10M/100/1000Mbps. Also be sure that the length of any twisted-pair connection does not exceed 100 meters (328 feet).
- Diagnosing LED Indicators: To assist in identifying problems, the Media Converter can be easily monitored with the LED indicators which help to identify if any problems exist.
  - ◆ Please refer to the LED Indicators section for LED light indication.
- If the power indicator LED does not turn on when the power cord is plugged in, the user may have a problem with the power cord. Check for loose power connections, power losses or surges at the power outlet.
  - ◆ Please contact Leonton for technical support service, if the problem still cannot be resolved.
- If the industrial Media Converter LED indicators are normal and the connected cables are correct but the packets still cannot transmit, please check the system's Ethernet devices' configuration or status.

For any repair or maintenance needs, please contact us.

LEONTON TECHNOLOGIES, CO., LTD  
9F-1, No.43, Fuxing Rd., Xindian Dist.,  
New Taipei City, 231,

Taiwan

TEL: +886 2 22183113

FAX: +886 2 22187391