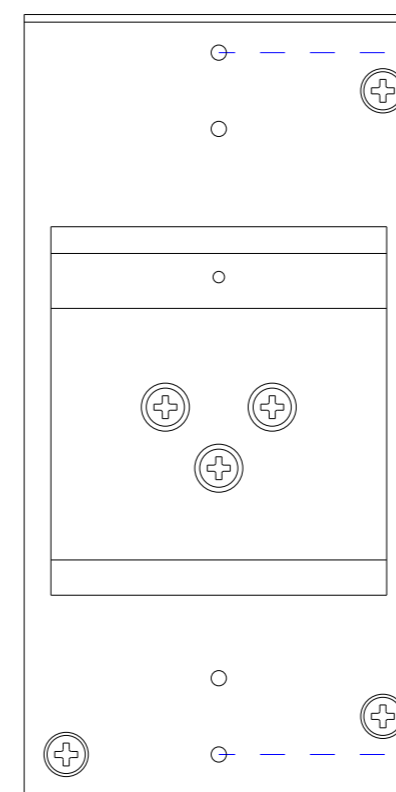
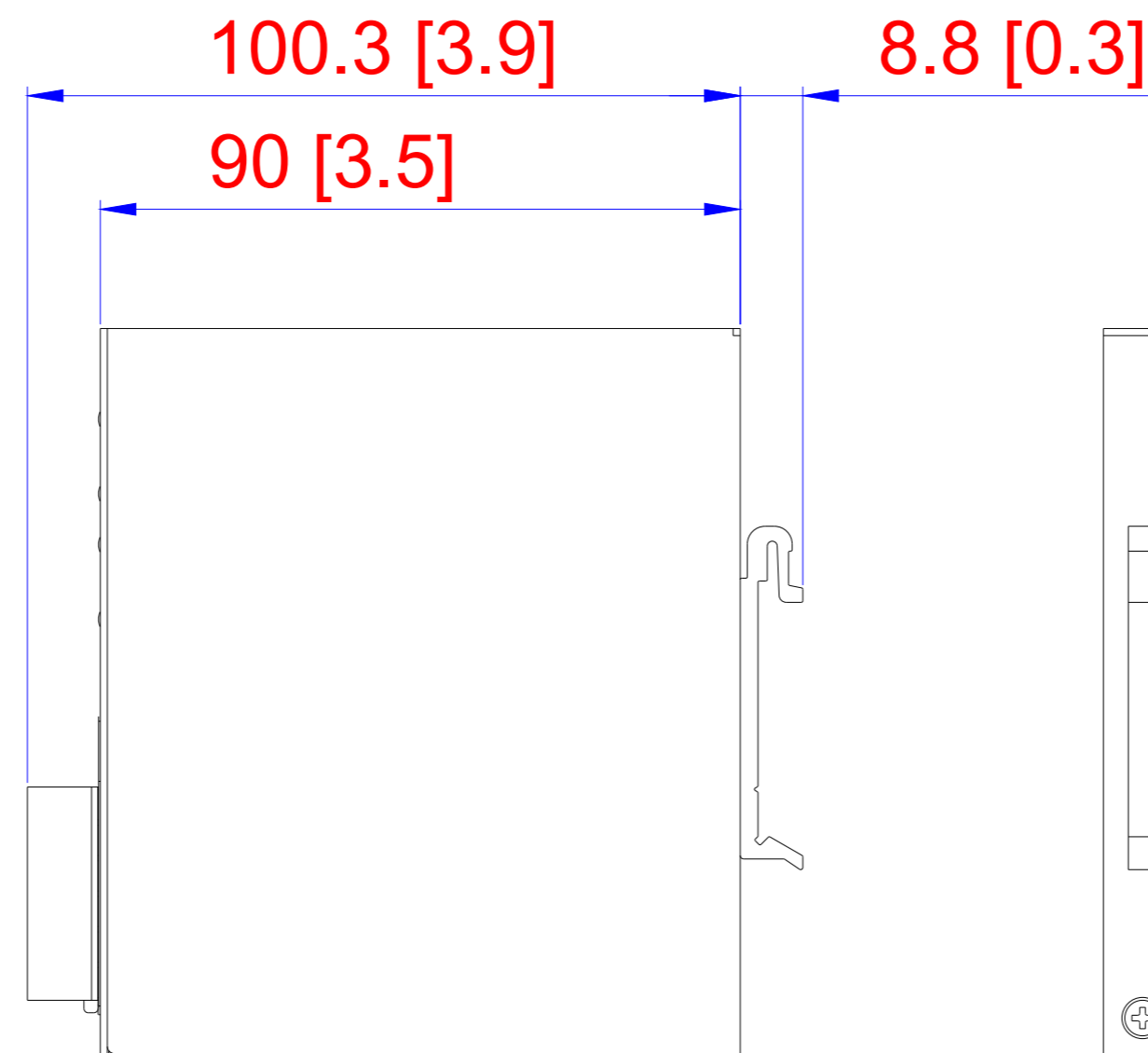
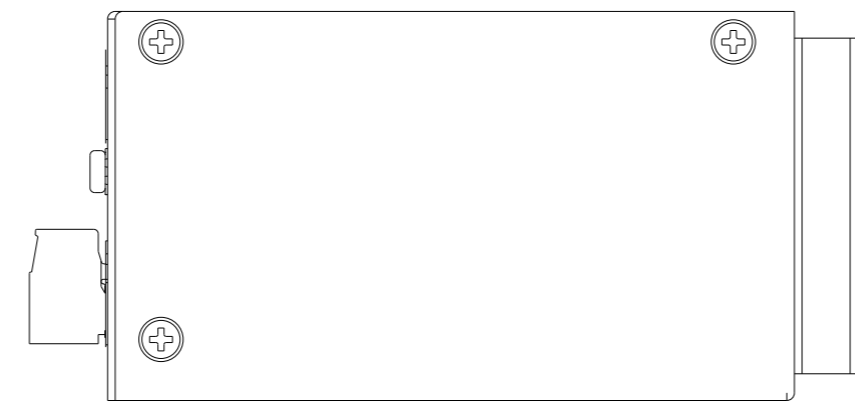
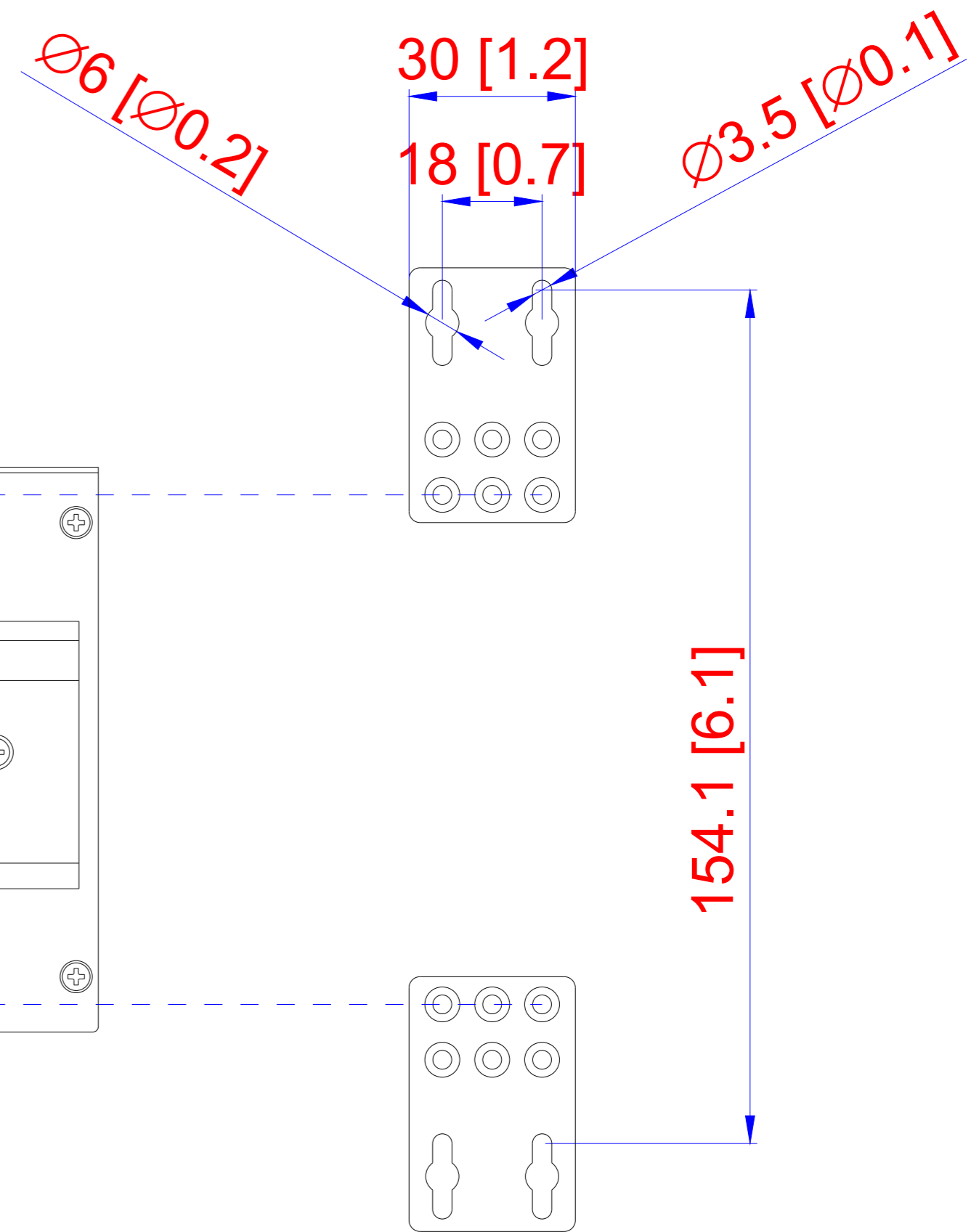


Unit: mm (inch)



Din-rail



Wall-mount



DRAWING NAME	CEG5-0602-SFP-LITE
PRODUCT NAME	CEG5-0602-SFP-LITE