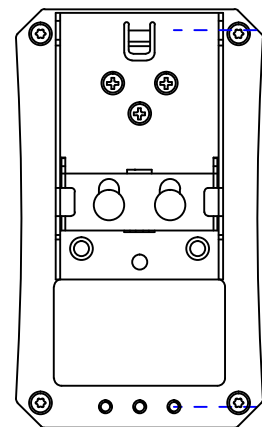
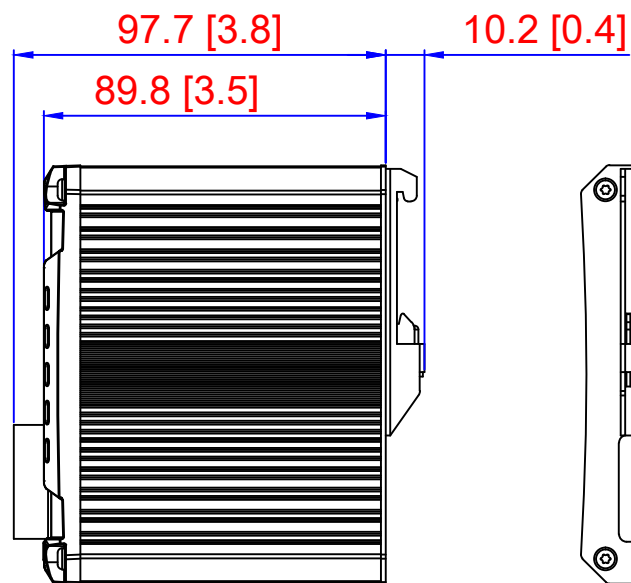
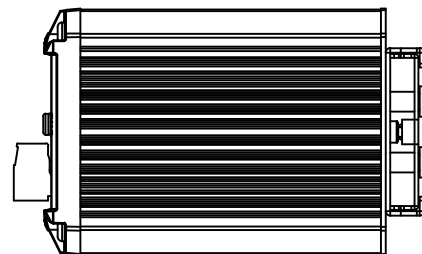
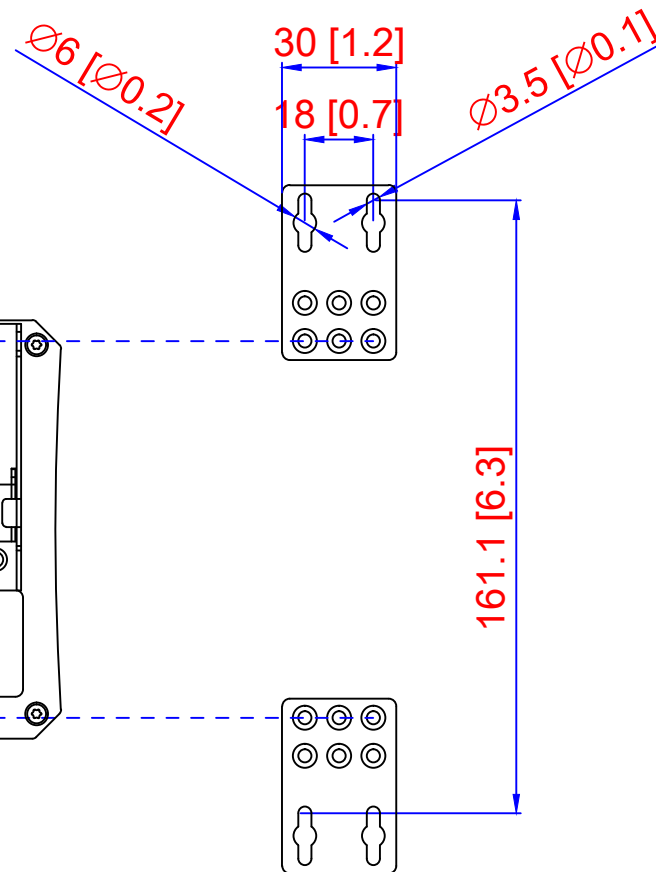


Unit: mm (inch)



Din-rail



Wall-mount

	DRAWING NAME	CBG5-0602-SFP
	PRODUCT NAME	CBG5-0602-SFP