

## CBG2-0501-SFP Series

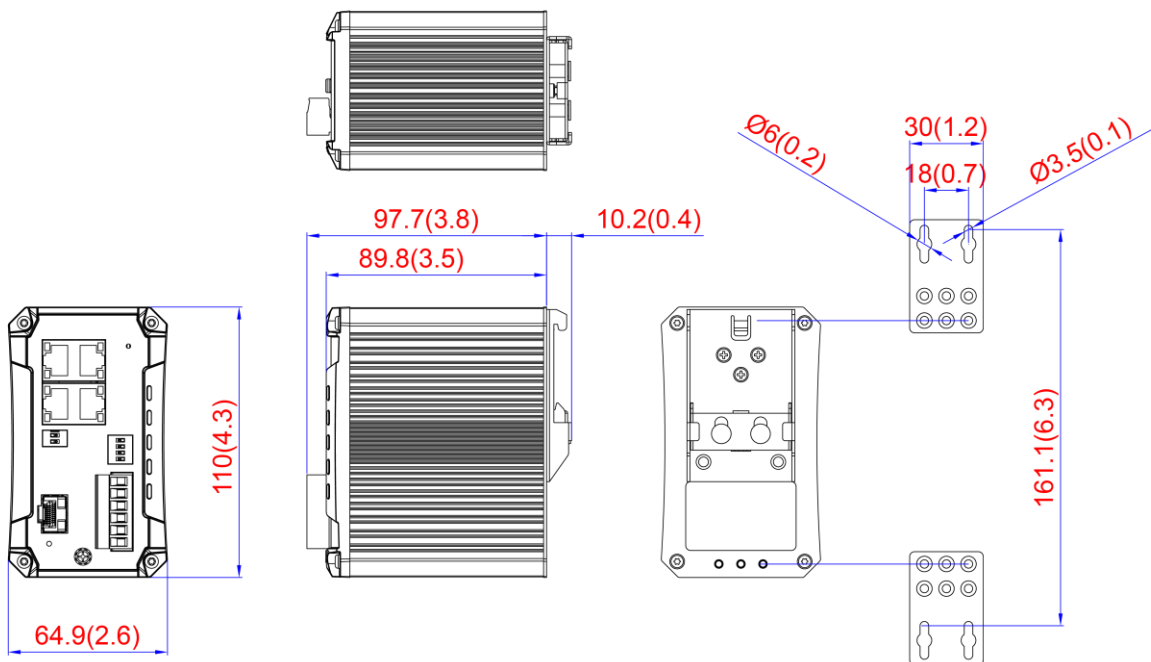
5-Port Industrial Gigabit IEEE 802.3bt PoE+ Ethernet Switch  
 -4\*10/100/1000BASE-T with bt PoE-PSE (90W/Port) +  
 1\*100/1000BASE-X SFP Slots



- 4-port 10/100/1000BASE-T Ethernet with IEEE 802.3af/at/bt compliant PoE, 90W/port
- 1-port dual rate 100/1000BASE-X SFP Slots
- Safe PoE Disable
- PD Remote Reset Technology (PRRT) Function Support
- Built-in Relay Output Warning for Power Failure
- Redundant power inputs design
- Operating Temperature range - STD: -10°C ~ 65°C, EOT: -40°C ~ 75°C



### Dimension



Unit: mm (inch)

Din-rail

Wall-mount

## Specification

### Technology

Standards	IEEE 802.3 10BASE-T Ethernet IEEE 802.3u 100BASE-TX and 100BASE-FX Fast Ethernet IEEE 802.3ab 1000BASE-T Gigabit Ethernet IEEE 802.3z 1000BASE-X Gigabit Fiber IEEE 802.3af/at/bt Power over Ethernet
-----------	---

Processing Type	Store and Forward
-----------------	-------------------

Flow Control	IEEE 802.3x flow control, back pressure flow control
--------------	--

### Switch Properties

Switching Fabric (Back-Plane)	10Gbps
Memory Buffer	1Mbits
MAC Table Size	8K
Jumbo Frame	10Kbytes
Transfer Rate	14,880pps for Ethernet port 148,800pps for Fast Ethernet port 1,488,000pps for Gigabit Ethernet port

### Interface

RJ45 Ports	4*10/100/1000BASE-T with bt PoE-PSE (90W/Port) Auto-Negotiation, Full/Half Duplex, Auto-MDI/MDI-X
PoE Pin Out	V-, V-, V+, V+, for pin 1, 2, 3, 6; V+, V+, V-, V-, for pin 4, 5, 7, 8 *Support Modes: Mode A, Mode B, 4-Pair Mode
Fiber Port	1*100/1000BASE-X SFP Slots
Wavelength	Depends on SFP modules
LED Indicators	System: Power 1, Power 2, Fault Ethernet ports: Speed/Link/Active PoE: On-connected to PD Devices SFP: Link/Active PoE Load: 50%, 70%, 90%
Relay Contact	24 VDC, 1A resistive
Network Cable	10BASE-T: 2-pair UTP/STP Cat. 3, 4, 5 cable EIA/TIA-568 100-ohm (100m) 100BASE-TX: 2-pair UTP/STP Cat. 5 cable EIA/TIA-568 100-ohm (100m) 1000BASE-T: 4-pair UTP/STP Cat.5/5E cable; EIA/TIA-568 100-ohm (100m)
Dip Switch	PoE Switch: Control PoE Function by Port PRRT Switch: PD Remote Reset Technology (PRRT) Enable/ Disable SFP Switch: 100Mbps/1000Mbps

### Power Requirements

Input Voltage	Dual 48-55VDC redundant power inputs * For IEEE802.3bt application, power supply not less than 53V is recommended
Power Connection	1*removable 6-contact terminal block
Overload Current Protection	Present (Slow-Blow Fuse)
Reverse Polarity Protection	Present
System Power Consumption	Max. 6.3W full loading
Max. PoE Power Budget	240W@48-55VDC

### Mechanical Characteristics

Housing	Metal, IP40 protection
Dimensions (W x H x D)	64.9 x 110 x 89.8 mm (2.6x 4.3 x 3.5 inch)
Weight	Unit weight: 0.884kg (1.95lb), Shipping weight: 1.11kg (2.45lb)
Mounting	DIN-Rail Mounting, Wall Mounting

### Environmental Limits

Operating Temperature	STD: -10°C ~ 65°C (14°F ~ 149°F) EOT: -40°C ~ 75°C (-40°F ~ 167°F)
Storage Temperature	-40°C ~ 85°C (-40°F ~ 185°F)
Ambient Relative Humidity	5 to 95%, (non-condensing)

## Regulatory Approvals

EMI	FCC Part 15 Subpart B Class A, CE EN55032/EN61000-6-4 Class A
EMS	CE EN55035/EN61000-6-2 IEC61000-4-2 (ESD), IEC61000-4-3 (RS), IEC61000-4-4 (EFT), IEC61000-4-5 (Surge), IEC61000-4-6 (CS), IEC61000-4-8 (Magnetic Field)
Free Fall	IEC60068-2-32
Shock	IEC60068-2-27
Vibration	IEC60068-2-6
Green	RoHS Compliant
Safety	UL61010-1, UL61010-2-201
MTBF (Telcordia SR-332, Issue 3, GB, 25°C)	519,846 hrs.
Warranty	5 Years

**NOTE: Due to continuous improvement, all product specifications are subject to change without further notice.**

## Packet Contents

	pcs
CBG2-0501-SFP(-T) Ethernet switch	1
Wall-mount installation kits	2
Quick installation guide (printed)	1

## Comparison Table

Model Name	10/100/1000BASE-T bt PoE	100/1000BASE-X SFP	Power Inputs	PoE Max. Power Budget	Operating Temperature
CBG2-0501-SFP	4	1	48-55VDC	240W	-10°C ~ 65°C
CBG2-0501-SFP-T	4	1	48-55VDC	240W	-40°C ~ 75°C

## Ordering Information

CBG2-0501-SFP	5-Port Industrial Gigabit PoE+ Ethernet Switch -4*10/100/1000BASE-T with bt PoE-PSE (90W/Port) + 1*100/1000BASE-X SFP Slots, 48-55VDC, -10°C ~ 65°C
CBG2-0501-SFP-T	5-Port Industrial Gigabit PoE+ Ethernet Switch -4*10/100/1000BASE-T with bt PoE-PSE (90W/Port) + 1*100/1000BASE-X SFP Slots, 48-55VDC, -40°C ~ 75°C

## Optional Accessories - Power Supply Series

75W Power Supply Series	
EDR-75-48	75W Industrial DIN-Rail Power Supply, 48VDC/1.6A, Universal 90-264VAC/127-370VDC power input, Metal, -20°C ~ 60°C
NDR-75-48	75W Industrial DIN-Rail Power Supply, 48VDC/1.6A, Universal 90-264VAC/127-370VDC power input, Metal, -20°C ~ 70°C
120W Power Supply Series	
EDR-120-48	120W Industrial DIN-Rail Power Supply, 48VDC/2.5A, Universal 90-264VAC/127-370VDC power input, Metal, -20°C ~ 60°C
NDR-120-48	120W Industrial DIN-Rail Power Supply, 48VDC/2.5A, Universal 90-264VAC/127-370VDC power input, Metal, -20°C ~ 70°C
240W Power Supply Series	
NDR-240-48	240W Industrial DIN-Rail Power Supply w/ PFC, 48VDC/5A, Universal 90-264VAC/127-370VDC power input,

Metal, -20°C ~ 70°C

#### 480W Power Supply Series

NDR-480-48	480W Industrial DIN-Rail Power Supply w/ PFC, 48VDC/10A, Universal 90-264VAC/127-370VDC power input, Metal, -20°C ~ 70°C
------------	--

## OPTIONAL ACCESSORIES - SFP Transceiver Series

### 100Mbps Multi-mode SFP Transceiver Modules Series

SFP-TM02	100Mbps SFP Transceiver/LC, MMF, 2KM, 1310nm, 0°C ~ 70°C
SFP-TM02-T	100Mbps SFP Transceiver/LC, MMF, 2KM, 1310nm, -40°C ~ 85°C

### 100Mbps Single-mode SFP Transceiver Modules Series

SFP-TS20-WA	100Mbps BiDi SFP Transceiver/LC, SMF, 20KM, TX: 1310nm/RX: 1550nm, 0°C ~ 70°C
SFP-TS20-WA-T	100Mbps BiDi SFP Transceiver/LC, SMF, 20KM, TX: 1310nm/RX: 1550nm, -40°C ~ 85°C
SFP-TS20-WB	100Mbps BiDi SFP Transceiver/LC, SMF, 20KM, TX: 1550nm/RX: 1310nm, 0°C ~ 70°C
SFP-TS20-WB-T	100Mbps BiDi SFP Transceiver/LC, SMF, 20KM, TX: 1550nm/RX: 1310nm, -40°C ~ 85°C
SFP-TS30	100Mbps SFP Transceiver/LC, SMF, 30KM, 1310nm, 0°C ~ 70°C
SFP-TS30-T	100Mbps SFP Transceiver/LC, SMF, 30KM, 1310nm, -40°C ~ 85°C

### 1Gbps Multi-mode SFP Transceiver Modules Series

SFP-GM00	1Gbps SFP Transceiver/LC, MMF, 550M, 850nm, 0°C ~ 70°C
SFP-GM00-T	1Gbps SFP Transceiver/LC, MMF, 550M, 850nm, -40°C ~ 85°C
SFP-GM02	1Gbps SFP Transceiver/LC, MMF, 2KM, 1310nm, 0°C ~ 70°C
SFP-GM02-T	1Gbps SFP Transceiver/LC, MMF, 2KM, 1310nm, -40°C ~ 85°C

### 1Gbps Single-mode SFP Transceiver Modules Series

SFP-GS10	1Gbps SFP Transceiver/LC, SMF, 10KM, 1310nm, 0°C ~ 70°C
SFP-GS10-T	1Gbps SFP Transceiver/LC, SMF, 10KM, 1310nm, -40°C ~ 85°C
SFP-GS10-WA	1Gbps BiDi SFP Transceiver/LC, SMF, 10KM, TX: 1310nm/RX: 1550nm, 0°C ~ 70°C
SFP-GS10-WA-T	1Gbps BiDi SFP Transceiver/LC, SMF, 10KM, TX: 1310nm/RX: 1550nm, -40°C ~ 85°C
SFP-GS10-WB	1Gbps BiDi SFP Transceiver/LC, SMF, 10KM, TX: 1550nm/RX: 1310nm, 0°C ~ 70°C
SFP-GS10-WB-T	1Gbps BiDi SFP Transceiver/LC, SMF, 10KM, TX: 1550nm/RX: 1310nm, -40°C ~ 85°C
SFP-GS20	1Gbps SFP Transceiver/LC, SMF, 20KM, 1310nm, 0°C ~ 70°C
SFP-GS20-T	1Gbps SFP Transceiver/LC, SMF, 20KM, 1310nm, -40°C ~ 85°C
SFP-GS40	1Gbps SFP Transceiver/LC, SMF, 40KM, 1310nm, 0°C ~ 70°C
SFP-GS40-T	1Gbps SFP Transceiver/LC, SMF, 40KM, 1310nm, -40°C ~ 85°C
SFP-GS40-WA	1Gbps BiDi SFP Transceiver/LC, SMF, 40KM, TX: 1310nm/RX: 1550nm, 0°C ~ 70°C
SFP-GS40-WB	1Gbps BiDi SFP Transceiver/LC, SMF, 40KM, TX: 1550nm/RX: 1310nm, 0°C ~ 70°C
SFP-GS60	1Gbps SFP Transceiver/LC, SMF, 60KM, 1550nm, 0°C ~ 70°C
SFP-GS60-T	1Gbps SFP Transceiver/LC, SMF, 60KM, 1550nm, -40°C ~ 85°C
SFP-GS60-WA	1Gbps BiDi SFP Transceiver/LC, SMF, 60KM, TX: 1310nm/RX: 1550nm, 0°C ~ 70°C
SFP-GS60-WB	1Gbps BiDi SFP Transceiver/LC, SMF, 60KM, TX: 1550nm/RX: 1310nm, 0°C ~ 70°C
SFP-GS80	1Gbps SFP Transceiver/LC, SMF, 80KM, 1550nm, 0°C ~ 70°C
SFP-GS80-T	1Gbps SFP Transceiver/LC, SMF, 80KM, 1550nm, -40°C ~ 85°C
SFP-GSH2-DDM	1Gbps SFP Transceiver/LC, SMF, 120KM, 1550nm, 0°C ~ 70°C, Support DDM function
SFP-GSH2-DDM-T	1Gbps SFP Transceiver/LC, SMF, 120KM, 1550nm, -40°C ~ 85°C, Support DDM function

### Copper SFP Transceiver Modules Series

SFP-GC00-SG	SFP to 10/100/1000BASE-T copper Module, 0°C ~ 70°C
SFP-GC00-SE	SFP to 1000BASE-T copper Module, 0°C ~ 70°C